



Message Implementation Guideline

## **EDIFACT INVOIC D.00A**

based on

### **INVOIC**

Invoice message

### **UN D.00A S4**

Version: 1.7  
Issue date: 23.11.2023  
Author: BENTELER

## Structure / Table of Contents

Counter	No	Tag	St	MaxOcc	Level	Content
0000	1	<b>UNA</b>	R	1	0	Service string advice
0000	2	<b>UNB</b>	M	1	0	INTERCHANGE HEADER
0010	3	<b>UNH</b>	M	1	0	MESSAGE HEADER
0020	4	<b>BGM</b>	M	1	0	BEGINNING OF MESSAGE
0030	5	<b>DTM</b>	M	1	1	DOCUMENT DATE
0030	6	<b>DTM</b>	O	1	1	PAYMENT DUE DATE
0030	7	<b>DTM</b>	O	1	1	INVOIC DATE
0120		<b>SG1</b>	O	1	1	ORIGINATOR REFERENCE
0130	8	<b>RFF</b>	M	1	1	Reference
0220		<b>SG2</b>	R	1	1	BUYER INFORMATION
0230	9	<b>NAD</b>	M	1	1	Name and address
0270		<b>SG3</b>	R	1	2	BUYER VAT ID
0280	10	<b>RFF</b>	M	1	2	Reference
0220		<b>SG2</b>	R	1	1	SELLER INFORMATION
0230	11	<b>NAD</b>	M	1	1	Name and address
0270		<b>SG3</b>	R	1	2	SELLER VAT ID
0280	12	<b>RFF</b>	M	1	2	Reference
0400		<b>SG7</b>	R	1	1	CURRENCY INFORMATION
0410	13	<b>CUX</b>	M	1	1	Currencies
1090		<b>SG26</b>	R	9999999	1	POSITION INFORMATION
1100	14	<b>LIN</b>	M	1	1	LINE ITEM
1110	15	<b>PIA</b>	D	1	2	ADDITIONAL PRODUCT ID
1140	16	<b>QTY</b>	R	1	2	DISCRETE QUANTITY
1170	17	<b>DTM</b>	O	1	2	RECEIPT DATE
1240		<b>SG27</b>	R	1	2	AMOUNT INFORMATION
1250	18	<b>MOA</b>	M	1	2	LINE ITEM AMOUNT
1320		<b>SG29</b>	O	1	2	PRICE INFORMATION
1330	19	<b>PRI</b>	M	1	2	PRICE DETAILS
1380		<b>SG30</b>	R	1	2	ORDER NUMBER
1390	20	<b>RFF</b>	M	1	2	DOCUMENT REFERENCE
1380		<b>SG30</b>	R	1	2	SUPPLIER DESPATCH ADVISE
1390	21	<b>RFF</b>	M	1	2	DESPATCH ADVICE
1380		<b>SG30</b>	O	1	2	DOCUMENT INFORMATION
1390	22	<b>RFF</b>	M	1	2	DOCUMENT REFERENCE
1380		<b>SG30</b>	D	4	2	ADDITIONAL INFORMATION
1390	23	<b>RFF</b>	M	1	2	REFERENCE
1540		<b>SG34</b>	R	1	2	TAX INFORMATION
1550	24	<b>TAX</b>	M	1	2	TAX

Counter = Counter of segment/group within the standard  
 No = Consecutive segment number  
 MaxOcc = Maximum occurrence of the segment/group

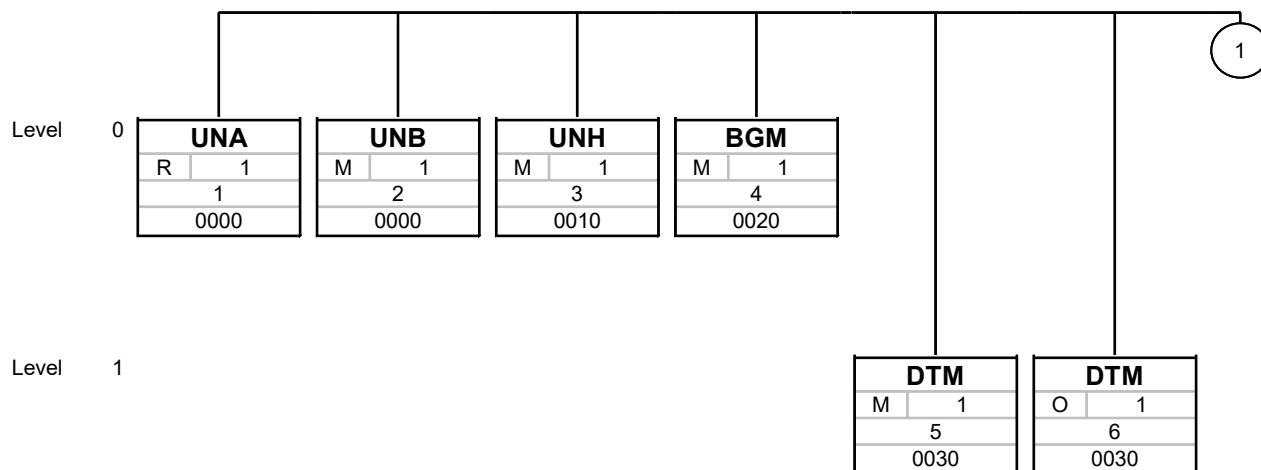
St = Status  
 EDIFACT: M=Mandatory, C=Conditional  
 User specific: R=Required, O=Optional, D=Dependent,  
 A=Advised, N=Not used

Counter	No	Tag	St	MaxOcc	Level	Content
1560	25	<b>MOA</b>	R	1	3	TAX AMOUNT
1580		<b>SG35</b>	R	1	2	CONSIGNEE INFORMATION
1590	26	<b>NAD</b>	M	1	2	Name and address
2160	27	<b>UNS</b>	M	1	0	SECTION CONTROL
2180		<b>SG50</b>	M	100	1	AMOUNT INFORMATION
2190	28	<b>MOA</b>	M	1	1	Monetary amount
2310	29	<b>UNT</b>	M	1	0	Message trailer
0000	30	<b>UNZ</b>	M	1	0	Interchange trailer

Counter = Counter of segment/group within the standard  
 No = Consecutive segment number  
 MaxOcc = Maximum occurrence of the segment/group

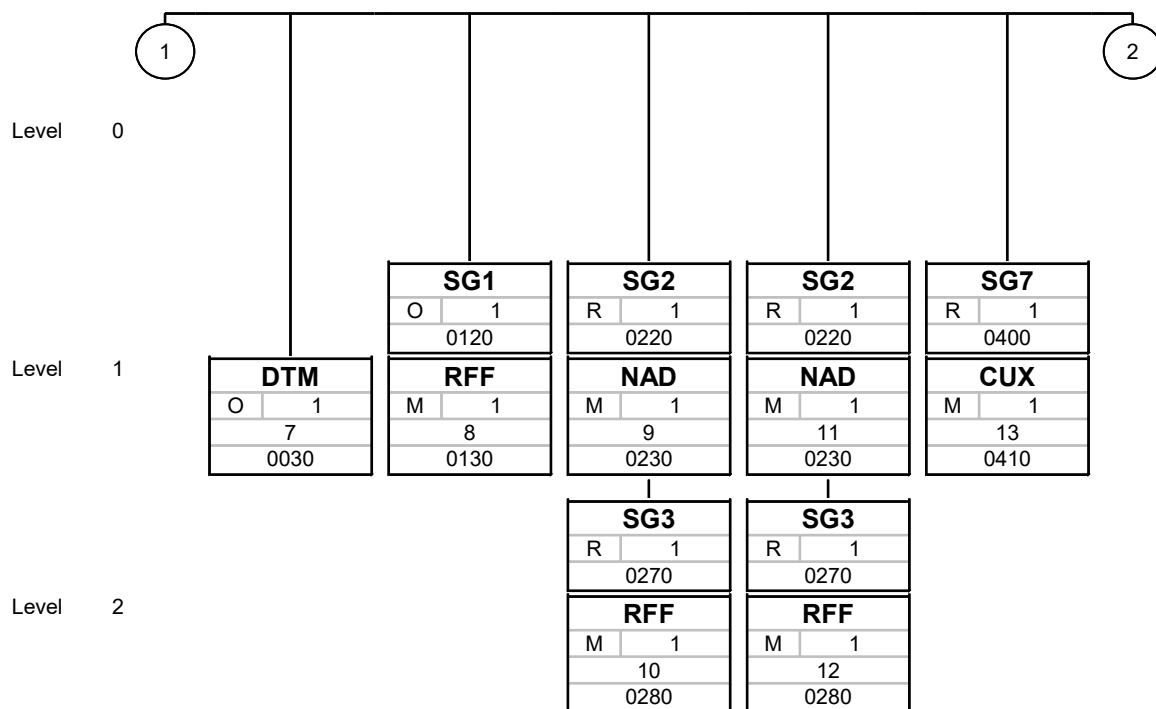
St = Status  
 EDIFACT: M=Mandatory, C=Conditional  
 User specific: R=Required, O=Optional, D=Dependent,  
 A=Advised, N=Not used

**Branching Diagram of Used Segments/Groups**



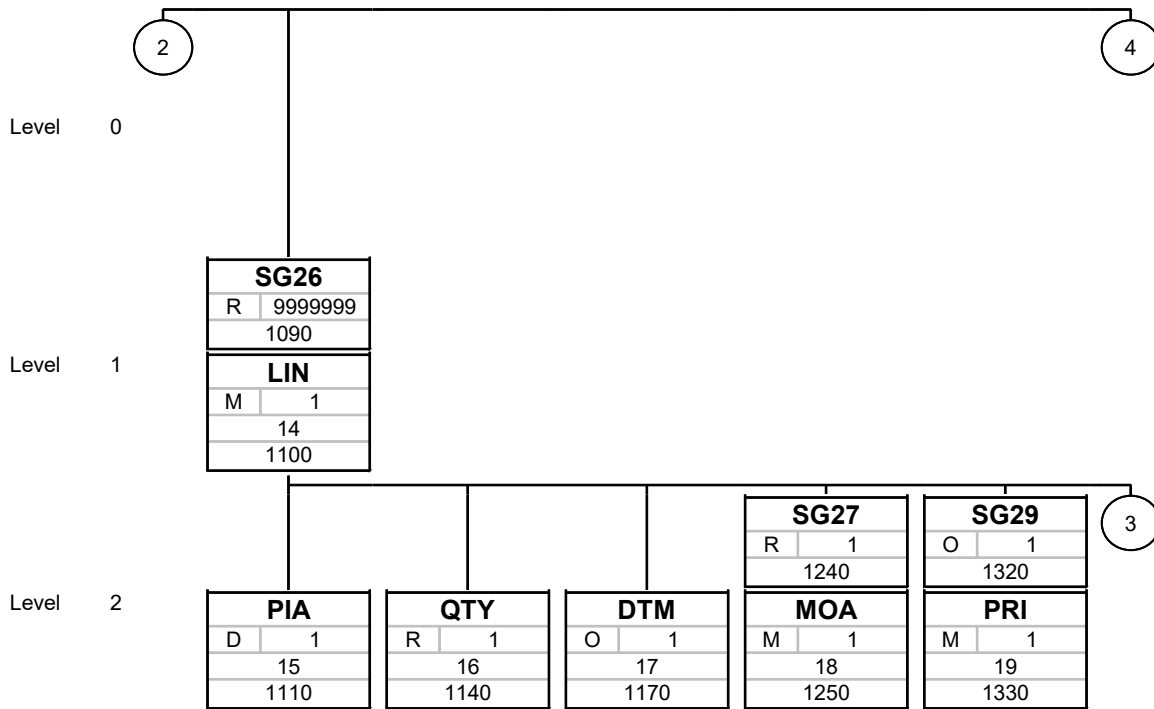
Tag
St MaxOcc
No
Counter

Tag = Segment/Group Tag  
 St = Status (M=Mandatory, C=Conditional, R=Required, O=Optional, A=Advised, D=Dependent)  
 MaxOcc = Maximum occurrence of the segment/group  
 No = Consecutive segment number  
 Counter = Counter of segment/group within the standard



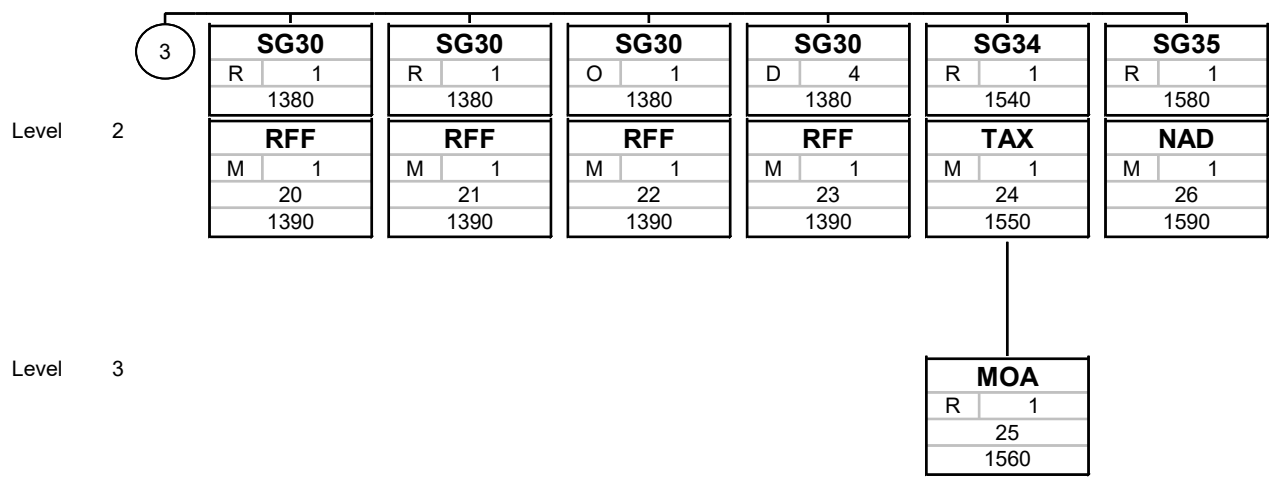
Tag
St MaxOcc
No
Counter

Tag = Segment/Group Tag  
 St = Status (M=Mandatory, C=Conditional, R=Required, O=Optional, A=Advised, D=Dependent)  
 MaxOcc = Maximum occurrence of the segment/group  
 No = Consecutive segment number  
 Counter = Counter of segment/group within the standard



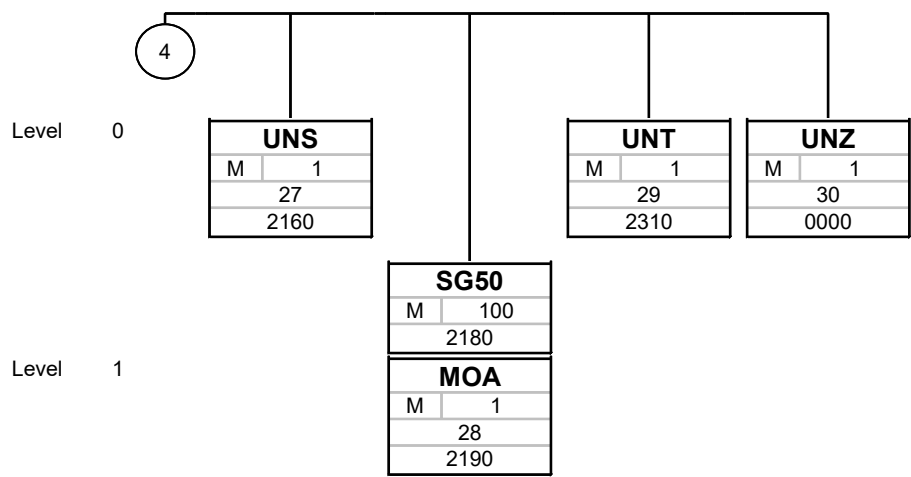
Tag
St MaxOcc
No
Counter

Tag = Segment/Group Tag  
 St = Status (M=Mandatory, C=Conditional, R=Required, O=Optional, A=Advised, D=Dependent)  
 MaxOcc = Maximum occurrence of the segment/group  
 No = Consecutive segment number  
 Counter = Counter of segment/group within the standard



Tag
St MaxOcc
No
Counter

Tag = Segment/Group Tag  
 St = Status (M=Mandatory, C=Conditional, R=Required, O=Optional, A=Advised, D=Dependent)  
 MaxOcc = Maximum occurrence of the segment/group  
 No = Consecutive segment number  
 Counter = Counter of segment/group within the standard



Tag
St MaxOcc
No
Counter

Tag = Segment/Group Tag  
 St = Status (M=Mandatory, C=Conditional, R=Required, O=Optional, A=Advised, D=Dependent)  
 MaxOcc = Maximum occurrence of the segment/group  
 No = Consecutive segment number  
 Counter = Counter of segment/group within the standard



## Segments

Counter	No	Tag	St	MaxOcc	Level	Name
0000	1	<b>UNA</b>	R	1	0	Service string advice

		Standard	Implementation	
Tag	Name	St Format	St Format	Usage / Remark
UNA				
UNA1	Component data element separator	M an1	M an1	
UNA2	Data element separator	M an1	M an1	
UNA3	Decimal mark	M an1	M an1	
UNA4	Release indicator	M an1	M an1	
UNA5	Repetition separator	M an1	M an1	
UNA6	Segment terminator	M an1	M an1	

**Remark:**

**Example:**

UNA:+. ?\*'

No = Consecutive segment number  
 MaxOcc = Maximum occurrence of the segment/group  
 Counter = Counter of segment/group within the standard

St = Status  
 EDIFACT: M=Mandatory, C=Conditional  
 User specific: R=Required, O=Optional, D=Dependent,  
 A=Advised, N=Not used

Counter	No	Tag	St	MaxOcc	Level	Name
0000	2	<b>UNB</b>	M	1	0	INTERCHANGE HEADER

		Standard	Implementation		
Tag	Name	St Format	St Format	Usage / Remark	
UNB					
S001	Syntax identifier	M	M		
0001	Syntax identifier	M a4	M a4	<b>UNOC UN/ECE level C</b>	
0002	Syntax version number	M an1	M an1	<b>4 Version 4</b>	
0080	Service code list directory version number	C an..6	N	Not used	
0133	Character encoding, coded	C an..3	N	Not used	
S002	Interchange sender	M	M		
0004	Interchange sender identification	M an..35	M an..35	SENDER ID	
0007	Identification code qualifier	C an..4	N	Not used	
0008	Interchange sender internal identification	C an..35	N	Not used	
0042	Interchange sender internal sub-identification	C an..35	N	Not used	
S003	Interchange recipient	M	M		
0010	Interchange recipient identification	M an..35	M an..35	RECEIVER ID	
0007	Identification code qualifier	C an..4	N	Not used	
0014	Interchange recipient internal identification	C an..35	N	Not used	
0046	Interchange recipient internal sub-identification	C an..35	N	Not used	
S004	Date and time of preparation	M	M		
0017	Date	M n8	M n8	Format is CCYYMMDD	
0019	Time	M n4	M n4	Format is HHMM	
0020	Interchange control reference	M an..14	M an..14	Unique continuing transmission number, generated by the EDI system	
S005	Recipient reference/password details	C	N		
0022	Recipient reference/password	M an..14	M an..14		
0025	Recipient reference/password qualifier	C an2	N	Not used	
0026	Application reference	C an..14	R an..14	INVOIC	
0029	Processing priority code	C a1	N	Not used	
0031	Acknowledgement request	C n1	N	Not used	
0032	Interchange agreement identifier	C an..35	N	Not used	
0035	Test indicator	C n1	O n1	<b>1 Interchange is a test</b>	

**Remark:**

**Example:**

UNB+UNOC:4+SENDERID+RECEIVERID+20160412:1357+0011100112++INVOIC+++1'

No = Consecutive segment number  
 MaxOcc = Maximum occurrence of the segment/group  
 Counter = Counter of segment/group within the standard

St = Status  
 EDIFACT: M=Mandatory, C=Conditional  
 User specific: R=Required, O=Optional, D=Dependent,  
 A=Advised, N=Not used

Counter	No	Tag	St	MaxOcc	Level	Name
0010	3	<b>UNH</b>	M	1	0	MESSAGE HEADER

		Standard		Implementation	
Tag	Name	St	Format	St	Format / Remark
UNH					
0062	Message reference number	M	an..14	M	an..14
S009	Message identifier	M		M	
0065	Message type	M	an..6	M	an..6
0052	Message version number	M	an..3	M	an..3
0054	Message release number	M	an..3	M	an..3
0051	Controlling agency, coded	M	an..3	M	an..3
0057	Association assigned code	C	an..6	N	Not used
0110	Code list directory version number	C	an..6	N	Not used
0113	Message type sub-function identification	C	an..6	N	Not used
0068	Common access reference	C	an..35	N	Not used
S010	Status of the transfer	C		N	
0070	Sequence of transfers	M	n..2	N	Not used
0073	First and last transfer	C	a1	N	Not used
S016	Message subset identification	C		N	
0115	Message subset identification	M	an..14	N	Not used
0116	Message subset version number	C	an..3	N	Not used
0118	Message subset release number	C	an..3	N	Not used
0051	Controlling agency, coded	C	an..3	N	Not used
S017	Message implementation guideline identification	C		N	
0121	Message implementation guideline identification	M	an..14	N	Not used
0122	Message implementation guideline version number	C	an..3	N	Not used
0124	Message implementation guideline release number	C	an..3	N	Not used
0051	Controlling agency, coded	C	an..3	N	Not used
S018	Scenario identification	C		N	
0127	Scenario identification	M	an..14	N	Not used
0128	Scenario version number	C	an..3	N	Not used
0130	Scenario release number	C	an..3	N	Not used
0051	Controlling agency, coded	C	an..3	N	Not used

**Remark:**

**Example:**

UNH+1+INVOIC:D:00A:UN'

No = Consecutive segment number  
 MaxOcc = Maximum occurrence of the segment/group  
 Counter = Counter of segment/group within the standard

St = Status  
 EDIFACT: M=Mandatory, C=Conditional  
 User specific: R=Required, O=Optional, D=Dependent, A=Advised, N=Not used

Counter	No	Tag	St	MaxOcc	Level	Name
0020	4	<b>BGM</b>	M	1	0	BEGINNING OF MESSAGE

		Standard	Implementation		
Tag	Name	St Format	St Format	Usage / Remark	
BGM					
C002	Document/message name	C	R		
1001	Document name code	C an..3	R an..3	<b>381 Credit note</b> <b>383 Debit note</b>	
1131	Code list identification code	C an..3	N	Not used	
3055	Code list responsible agency code	C an..3	N	Not used	
1000	Document name	C an..35	N	Not used	
C106	Document/message identification	C	R		
1004	Document identifier	C an..35	R an..35	Self billing invoice reference number	
1056	Version identifier	C an..9	N	Not used	
1060	Revision identifier	C an..6	N	Not used	
1225	Message function code	C an..3	R an..3	<b>9 Original</b>	
4343	Response type code	C an..3	N	Not used	

**Remark:**

**Example:**

BGM+381+DE6000080002012016+9'

No = Consecutive segment number  
 MaxOcc = Maximum occurrence of the segment/group  
 Counter = Counter of segment/group within the standard

St = Status  
 EDIFACT: M=Mandatory, C=Conditional  
 User specific: R=Required, O=Optional, D=Dependent,  
 A=Advised, N=Not used

Counter	No	Tag	St	MaxOcc	Level	Name
0030	5	<b>DTM</b>	M	1	1	DOCUMENT DATE

Standard			Implementation	
Tag	Name	St Format	St Format	Usage / Remark
DTM				
C507	Date/time/period	M	M	
2005	Date or time or period function code qualifier	M an..3	M an..3	<b>137 Document/message date/time</b>
2380	Date or time or period value	C an..35	R an..35	Format = CCYYMMDD
2379	Date or time or period format code	C an..3	R an..3	<b>102 CCYYMMDD</b>

**Remark:**

**Example:**

DTM+137:20160304:102'

No = Consecutive segment number  
 MaxOcc = Maximum occurrence of the segment/group  
 Counter = Counter of segment/group within the standard

St = Status  
 EDIFACT: M=Mandatory, C=Conditional  
 User specific: R=Required, O=Optional, D=Dependent,  
 A=Advised, N=Not used

Counter	No	Tag	St	MaxOcc	Level	Name
0030	6	<b>DTM</b>	O	1	1	PAYMENT DUE DATE

Standard			Implementation	
Tag	Name	St Format	St Format	Usage / Remark
DTM				
C507	Date/time/period	M	M	
2005	Date or time or period function code qualifier	M an..3	M an..3	<b>140 Payment due date</b>
2380	Date or time or period value	C an..35	R an..35	Format = CCYYMMDD
2379	Date or time or period format code	C an..3	R an..3	<b>102 CCYYMMDD</b>

**Remark:**

**Example:**

DTM+140:20160306:102'

No = Consecutive segment number  
 MaxOcc = Maximum occurrence of the segment/group  
 Counter = Counter of segment/group within the standard

St = Status  
 EDIFACT: M=Mandatory, C=Conditional  
 User specific: R=Required, O=Optional, D=Dependent,  
 A=Advised, N=Not used

Counter	No	Tag	St	MaxOcc	Level	Name
0030	7	<b>DTM</b>	O	1	1	INVOIC DATE

Standard			Implementation	
Tag	Name	St Format	St Format	Usage / Remark
DTM				
C507	Date/time/period	M	M	
2005	Date or time or period function code qualifier	M an..3	M an..3	<b>3 Invoice date/time</b>
2380	Date or time or period value	C an..35	R an..35	Format = CCYYMMDD
2379	Date or time or period format code	C an..3	R an..3	<b>102 CCYYMMDD</b>

**Remark:**

**Example:**

DTM+3:20160301:102'

No = Consecutive segment number  
 MaxOcc = Maximum occurrence of the segment/group  
 Counter = Counter of segment/group within the standard

St = Status  
 EDIFACT: M=Mandatory, C=Conditional  
 User specific: R=Required, O=Optional, D=Dependent,  
 A=Advised, N=Not used

Counter	No	Tag	St	MaxOcc	Level	Name
	0120	<b>SG1</b>	O	1	1	<b>ORIGINATOR REFERENCE</b>
	0130	8 <b>RFF</b>	M	1	1	<b>Reference</b>

Standard			Implementation	
Tag	Name	St Format	St Format	Usage / Remark
RFF				
C506	Reference	M	M	
1153	Reference function code qualifier	M an..3	M an..3	<b>ABO Originator's reference</b>
1154	Reference identifier	C an..35	R an..35	Reference number according to the application system (SAP R/3 IDoc number)
1156	Document line identifier	C an..6	N	Not used
4000	Reference version identifier	C an..35	N	Not used
1060	Revision identifier	C an..6	N	Not used

**Remark:**

**Example:**

RFF+ABO:2526012'

No = Consecutive segment number  
 MaxOcc = Maximum occurrence of the segment/group  
 Counter = Counter of segment/group within the standard

St = Status  
 EDIFACT: M=Mandatory, C=Conditional  
 User specific: R=Required, O=Optional, D=Dependent,  
 A=Advised, N=Not used



Counter	No	Tag	St	MaxOcc	Level	Name
	0220	<b>SG2</b>	R	1	1	<b>BUYER INFORMATION</b>
	0230	<b>NAD</b>	M	1	1	<b>Name and address</b>

Standard			Implementation	
Tag	Name	St Format	St Format	Usage / Remark
NAD				
3035	Party function code qualifier	M an..3	M an..3	<b>BY Buyer</b>
C082	Party identification details	C	R	
3039	Party identifier	M an..35	M an..35	Buyer ID
1131	Code list identification code	C an..3	N	Not used
3055	Code list responsible agency code	C an..3	R an..3	<b>92 Assigned by buyer or buyer's agent</b>
C058	Name and address	C	N	
3124	Name and address description	M an..35	N	Not used
3124	Name and address description	C an..35	N	Not used
3124	Name and address description	C an..35	N	Not used
3124	Name and address description	C an..35	N	Not used
3124	Name and address description	C an..35	N	Not used
C080	Party name	C	R	Buyer Name
3036	Party name	M an..35	M an..35	
3036	Party name	C an..35	N	Not used
3036	Party name	C an..35	N	Not used
3036	Party name	C an..35	N	Not used
3036	Party name	C an..35	N	Not used
3045	Party name format code	C an..3	N	Not used
C059	Street	C	R	Buyer Street
3042	Street and number or post office box identifier	M an..35	M an..35	
3042	Street and number or post office box identifier	C an..35	N	Not used
3042	Street and number or post office box identifier	C an..35	N	Not used
3042	Street and number or post office box identifier	C an..35	N	Not used
3164	City name	C an..35	R an..35	Buyer City
C819	Country sub-entity details	C	N	
3229	Country sub-entity name code	C an..9	N	Not used
1131	Code list identification code	C an..3	N	Not used
3055	Code list responsible agency code	C an..3	N	Not used
3228	Country sub-entity name	C an..35	N	Not used
3251	Postal identification code	C an..17	R an..17	Buyer zip code
3207	Country name code	C an..3	R an..3	Buyer contry code (ISO)

**Remark:****Example:**

NAD+BY+58103020::92++Benteler+Musterstrasse 1+Paderborn++33016+DE'

No = Consecutive segment number  
 MaxOcc = Maximum occurrence of the segment/group  
 Counter = Counter of segment/group within the standard

St = Status  
 EDIFACT: M=Mandatory, C=Conditional  
 User specific: R=Required, O=Optional, D=Dependent,  
 A=Advised, N=Not used

Counter	No	Tag	St	MaxOcc	Level	Name
	0270	<b>SG3</b>	R	1	2	<b>BUYER VAT ID</b>
	0280	10 <b>RFF</b>	M	1	2	<b>Reference</b>

Standard			Implementation	
Tag	Name	St Format	St Format	Usage / Remark
RFF				
C506	Reference	M	M	
1153	Reference function code qualifier	M an..3	M an..3	<b>VA VAT registration number</b>
1154	Reference identifier	C an..35	R an..35	
1156	Document line identifier	C an..6	N	Not used
4000	Reference version identifier	C an..35	N	Not used
1060	Revision identifier	C an..6	N	Not used

**Remark:****Example:**

RFF+VA:DE812754945'

No = Consecutive segment number  
 MaxOcc = Maximum occurrence of the segment/group  
 Counter = Counter of segment/group within the standard

St = Status  
 EDIFACT: M=Mandatory, C=Conditional  
 User specific: R=Required, O=Optional, D=Dependent,  
 A=Advised, N=Not used

Counter	No	Tag	St	MaxOcc	Level	Name
	0220	<b>SG2</b>	R	1	1	<b>SELLER INFORMATION</b>
	0230	11 <b>NAD</b>	M	1	1	<b>Name and address</b>

Standard			Implementation	
Tag	Name	St Format	St Format	Usage / Remark
NAD				
3035	Party function code qualifier	M an..3	M an..3	<b>SE Seller</b>
C082	Party identification details	C	R	
3039	Party identifier	M an..35	M an..35	Seller ID
1131	Code list identification code	C an..3	N	Not used
3055	Code list responsible agency code	C an..3	R an..3	<b>92 Assigned by buyer or buyer's agent</b>
C058	Name and address	C	N	
3124	Name and address description	M an..35	N	Not used
3124	Name and address description	C an..35	N	Not used
3124	Name and address description	C an..35	N	Not used
3124	Name and address description	C an..35	N	Not used
3124	Name and address description	C an..35	N	Not used
C080	Party name	C	R	
3036	Party name	M an..35	M an..35	Seller Name
3036	Party name	C an..35	N	Not used
3036	Party name	C an..35	N	Not used
3036	Party name	C an..35	N	Not used
3036	Party name	C an..35	N	Not used
3045	Party name format code	C an..3	N	Not used
C059	Street	C	R	Seller Street
3042	Street and number or post office box identifier	M an..35	M an..35	
3042	Street and number or post office box identifier	C an..35	N	Not used
3042	Street and number or post office box identifier	C an..35	N	Not used
3042	Street and number or post office box identifier	C an..35	N	Not used
3164	City name	C an..35	R an..35	Seller City
C819	Country sub-entity details	C	N	
3229	Country sub-entity name code	C an..9	N	Not used
1131	Code list identification code	C an..3	N	Not used
3055	Code list responsible agency code	C an..3	N	Not used
3228	Country sub-entity name	C an..35	N	Not used
3251	Postal identification code	C an..17	R an..17	Seller zip code
3207	Country name code	C an..3	R an..3	Seller country code (ISO)

**Remark:****Example:**

NAD+SE+2078800::92++Autohaus GmbH+Musterstrasse 2+Bielefeld++33602+DE'

No = Consecutive segment number  
 MaxOcc = Maximum occurrence of the segment/group  
 Counter = Counter of segment/group within the standard

St = Status  
 EDIFACT: M=Mandatory, C=Conditional  
 User specific: R=Required, O=Optional, D=Dependent,  
 A=Advised, N=Not used

Counter	No	Tag	St	MaxOcc	Level	Name
	0270	<b>SG3</b>	R	1	2	<b>SELLER VAT ID</b>
	0280	12 <b>RFF</b>	M	1	2	<b>Reference</b>

Standard			Implementation	
Tag	Name	St Format	St Format	Usage / Remark
RFF				
C506	Reference	M	M	
1153	Reference function code qualifier	M an..3	M an..3	<b>VA VAT registration number</b>
1154	Reference identifier	C an..35	R an..35	
1156	Document line identifier	C an..6	N	Not used
4000	Reference version identifier	C an..35	N	Not used
1060	Revision identifier	C an..6	N	Not used

**Remark:**

**Example:**

RFF+VA:DE812754999'

No = Consecutive segment number  
 MaxOcc = Maximum occurrence of the segment/group  
 Counter = Counter of segment/group within the standard

St = Status  
 EDIFACT: M=Mandatory, C=Conditional  
 User specific: R=Required, O=Optional, D=Dependent,  
 A=Advised, N=Not used

Counter	No	Tag	St	MaxOcc	Level	Name
	0400	<b>SG7</b>	R	1	1	<b>CURRENCY INFORMATION</b>
	0410	13	<b>CUX</b>	M	1	<b>Currencies</b>

Standard			Implementation	
Tag	Name	St Format	St Format	Usage / Remark
CUX				
C504	Currency details	C	R	
6347	Currency usage code qualifier	M an..3	M an..3	<b>2 Reference currency</b>
6345	Currency identification code	C an..3	R an..3	<b>EUR Euro</b> <b>USD US Dollar</b> Further codes can be used.
6343	Currency type code qualifier	C an..3	N	Not used
6348	Currency rate value	C n..4	N	Not used
C504	Currency details	C	D	If Exchange rate is available.
6347	Currency usage code qualifier	M an..3	M an..3	<b>3 Target currency</b>
6345	Currency identification code	C an..3	C an..3	<b>EUR Euro</b> <b>USD US Dollar</b> <b>CZK Czech Koruna</b> Further Currencies can be used.
6343	Currency type code qualifier	C an..3	N	Not used
6348	Currency rate value	C n..4	R n..4	Target Rate value
5402	Currency exchange rate	C n..12	N	Not used
6341	Exchange rate currency market identifier	C an..3	N	Not used

**Remark:**

**Example:**

CUX+2:EUR+3:CZK:::12.44'

No = Consecutive segment number  
 MaxOcc = Maximum occurrence of the segment/group  
 Counter = Counter of segment/group within the standard

St = Status  
 EDIFACT: M=Mandatory, C=Conditional  
 User specific: R=Required, O=Optional, D=Dependent,  
 A=Advised, N=Not used

Counter	No	Tag	St	MaxOcc	Level	Name	
	1090	<b>SG26</b>	R	9999999	1	<b>POSITION INFORMATION</b>	
	1100	14	<b>LIN</b>	M	1	1	<b>LINE ITEM</b>

Standard			Implementation	
Tag	Name	St Format	St Format	Usage / Remark
LIN				
1082	Line item identifier	C an..6	N	Not used
1229	Action request/notification description code	C an..3	N	Not used
C212	Item number identification	C	R	
7140	Item identifier	C an..35	R an..35	Benteler material ID
7143	Item type identification code	C an..3	R an..3	<b>IN Buyer's item number</b>
1131	Code list identification code	C an..3	N	Not used
3055	Code list responsible agency code	C an..3	N	Not used
C829	Sub-line information	C	N	
5495	Sub-line indicator code	C an..3	N	Not used
1082	Line item identifier	C an..6	N	Not used
1222	Configuration level number	C n..2	N	Not used
7083	Configuration operation code	C an..3	N	Not used

**Remark:****Example:**

LIN+++27560970:IN'

No = Consecutive segment number  
 MaxOcc = Maximum occurrence of the segment/group  
 Counter = Counter of segment/group within the standard

St = Status  
 EDIFACT: M=Mandatory, C=Conditional  
 User specific: R=Required, O=Optional, D=Dependent,  
 A=Advised, N=Not used

Counter	No	Tag	St	MaxOcc	Level	Name
	1090	<b>SG26</b>	R	9999999	1	<b>POSITION INFORMATION</b>
	1110	15 <b>PIA</b>	D	1	2	<b>ADDITIONAL PRODUCT ID</b>

Standard			Implementation	
Tag	Name	St Format	St Format	Usage / Remark
PIA				
4347	Product identifier code qualifier	M an..3	M an..3	<b>1 Additional identification</b>
C212	Item number identification	M	M	
7140	Item identifier	C an..35	R an..35	Production batch number (concerns only steel suppliers and is not used for production buying parts)
7143	Item type identification code	C an..3	N	Not used
1131	Code list identification code	C an..3	N	Not used
3055	Code list responsible agency code	C an..3	N	Not used
C212	Item number identification	C	N	
7140	Item identifier	C an..35	N	Not used
7143	Item type identification code	C an..3	N	Not used
1131	Code list identification code	C an..3	N	Not used
3055	Code list responsible agency code	C an..3	N	Not used
C212	Item number identification	C	N	
7140	Item identifier	C an..35	N	Not used
7143	Item type identification code	C an..3	N	Not used
1131	Code list identification code	C an..3	N	Not used
3055	Code list responsible agency code	C an..3	N	Not used
C212	Item number identification	C	N	
7140	Item identifier	C an..35	N	Not used
7143	Item type identification code	C an..3	N	Not used
1131	Code list identification code	C an..3	N	Not used
3055	Code list responsible agency code	C an..3	N	Not used

**Remark:**

Production batch number (concerns only steel suppliers and is not used for production buying parts)

**Example:**

PIA+1+XX111111'

No = Consecutive segment number  
 MaxOcc = Maximum occurrence of the segment/group  
 Counter = Counter of segment/group within the standard

St = Status  
 EDIFACT: M=Mandatory, C=Conditional  
 User specific: R=Required, O=Optional, D=Dependent, A=Advised, N=Not used

Counter	No	Tag	St	MaxOcc	Level	Name
	1090	<b>SG26</b>	R	9999999	1	<b>POSITION INFORMATION</b>
	1140	16 <b>QTY</b>	R	1	2	<b>DISCRETE QUANTITY</b>

Standard			Implementation	
Tag	Name	St Format	St Format	Usage / Remark
QTY				
C186	Quantity details	M	M	
6063	Quantity type code qualifier	M an..3	M an..3	<b>1 Discrete quantity</b>
6060	Quantity	M an..35	M an..35	
6411	Measurement unit code	C an..3	R an..3	<b>KGM kilogram</b> <b>C62 one</b> <b>LTR litre</b> <b>TNE tonne (metric ton)</b> <b>MTR metre</b> Further codes can be used

**Remark:**

**Example:**

QTY+1:10999.989:KGM'

No = Consecutive segment number  
 MaxOcc = Maximum occurrence of the segment/group  
 Counter = Counter of segment/group within the standard

St = Status  
 EDIFACT: M=Mandatory, C=Conditional  
 User specific: R=Required, O=Optional, D=Dependent,  
 A=Advised, N=Not used



Counter	No	Tag	St	MaxOcc	Level	Name
	1090	<b>SG26</b>	R	9999999	1	<b>POSITION INFORMATION</b>
	1170	17 <b>DTM</b>	O	1	2	<b>RECEIPT DATE</b>

Standard			Implementation	
Tag	Name	St Format	St Format	Usage / Remark
DTM				
C507	Date/time/period	M	M	
2005	Date or time or period function code qualifier	M an..3	M an..3	<b>50 Goods receipt date/time</b>
2380	Date or time or period value	C an..35	R an..35	
2379	Date or time or period format code	C an..3	R an..3	<b>102 CCYYMMDD</b>

**Remark:**

**Example:**

DTM+50:20160225:102'

No = Consecutive segment number  
 MaxOcc = Maximum occurrence of the segment/group  
 Counter = Counter of segment/group within the standard

St = Status  
 EDIFACT: M=Mandatory, C=Conditional  
 User specific: R=Required, O=Optional, D=Dependent,  
 A=Advised, N=Not used

Counter	No	Tag	St	MaxOcc	Level	Name
	1240	<b>SG27</b>	R	1	2	AMOUNT INFORMATION
	1250	18 <b>MOA</b>	M	1	2	LINE ITEM AMOUNT

Standard			Implementation	
Tag	Name	St Format	St Format	Usage / Remark
MOA				
C516	Monetary amount	M	M	
5025	Monetary amount type code qualifier	M an..3	M an..3	<b>203 Line item amount</b>
5004	Monetary amount	C n..35	R n..35	Amount with two decimals
6345	Currency identification code	C an..3	N	Not used
6343	Currency type code qualifier	C an..3	N	Not used
4405	Status description code	C an..3	N	Not used

**Remark:**

**Example:**

MOA+203:6855.96'

No = Consecutive segment number  
 MaxOcc = Maximum occurrence of the segment/group  
 Counter = Counter of segment/group within the standard

St = Status  
 EDIFACT: M=Mandatory, C=Conditional  
 User specific: R=Required, O=Optional, D=Dependent,  
 A=Advised, N=Not used

Counter	No	Tag	St	MaxOcc	Level	Name
	1320	<b>SG29</b>	O	1	2	<b>PRICE INFORMATION</b>
	1330	19 <b>PRI</b>	M	1	2	<b>PRICE DETAILS</b>

Standard			Implementation	
Tag	Name	St Format	St Format	Usage / Remark
PRI				
C509	Price information	C	R	
5125	Price code qualifier	M an..3	M an..3	<b>AAA Calculation net</b>
5118	Price amount	C n..15	R n..15	Price amount
5375	Price type code	C an..3	N	Not used
5387	Price specification code	C an..3	R an..3	<b>CON Contract price</b>
5284	Unit price basis value	C n..9	R n..9	Unit basis
6411	Measurement unit code	C an..3	R an..3	<b>KGM kilogram</b> <b>LTR litre</b> <b>C62 one</b> <b>TNE tonne (metric ton)</b> <b>MTR metre</b> Further codes can be used
5213	Sub-line item price change operation code	C an..3	N	Not used

**Remark:**

**Example:**

PRI+AAA:75.70::CON:100:KGM'

No = Consecutive segment number  
 MaxOcc = Maximum occurrence of the segment/group  
 Counter = Counter of segment/group within the standard

St = Status  
 EDIFACT: M=Mandatory, C=Conditional  
 User specific: R=Required, O=Optional, D=Dependent,  
 A=Advised, N=Not used

Counter	No	Tag	St	MaxOcc	Level	Name
1380		<b>SG30</b>	R	1	2	<b>ORDER NUMBER</b>
1390	20	<b>RFF</b>	M	1	2	<b>DOCUMENT REFERENCE</b>

Standard			Implementation	
Tag	Name	St Format	St Format	Usage / Remark
RFF				
C506	Reference	M	M	
1153	Reference function code qualifier	M an..3	M an..3	<b>ON Order number (purchase)</b>
1154	Reference identifier	C an..35	R an..35	Benteler Order Number
1156	Document line identifier	C an..6	N	Not used
4000	Reference version identifier	C an..35	N	Not used
1060	Revision identifier	C an..6	N	Not used

**Remark:**

**Example:**

RFF+ON: 72711316'

No = Consecutive segment number  
 MaxOcc = Maximum occurrence of the segment/group  
 Counter = Counter of segment/group within the standard

St = Status  
 EDIFACT: M=Mandatory, C=Conditional  
 User specific: R=Required, O=Optional, D=Dependent,  
 A=Advised, N=Not used

Counter	No	Tag	St	MaxOcc	Level	Name
	1380	<b>SG30</b>	R	1	2	<b>SUPPLIER DESPATCH ADVISE</b>
	1390	21 <b>RFF</b>	M	1	2	<b>DESPATCH ADVICE</b>

Standard			Implementation	
Tag	Name	St Format	St Format	Usage / Remark
RFF				
C506	Reference	M	M	
1153	Reference function code qualifier	M an..3	M an..3	<b>AAK Despatch advice number</b>
1154	Reference identifier	C an..35	R an..35	Suppliers Despatch advise number
1156	Document line identifier	C an..6	N	Not used
4000	Reference version identifier	C an..35	N	Not used
1060	Revision identifier	C an..6	N	Not used

**Remark:**

**Example:**

RFF+AAK: 52712929'

No = Consecutive segment number  
 MaxOcc = Maximum occurrence of the segment/group  
 Counter = Counter of segment/group within the standard

St = Status  
 EDIFACT: M=Mandatory, C=Conditional  
 User specific: R=Required, O=Optional, D=Dependent,  
 A=Advised, N=Not used

Counter	No	Tag	St	MaxOcc	Level	Name
1380		<b>SG30</b>	O	1	2	DOCUMENT INFORMATION
1390	22	<b>RFF</b>	M	1	2	DOCUMENT REFERENCE

Standard			Implementation	
Tag	Name	St Format	St Format	Usage / Remark
RFF				
C506	Reference	M	M	
1153	Reference function code qualifier	M an..3	M an..3	<b>DM Document number</b>
1154	Reference identifier	C an..35	R an..35	Benteler consumption Document number
1156	Document line identifier	C an..6	N	Not used
4000	Reference version identifier	C an..35	N	Not used
1060	Revision identifier	C an..6	N	Not used

**Remark:**

**Example:**

RFF+DM:0022711316'

No = Consecutive segment number  
 MaxOcc = Maximum occurrence of the segment/group  
 Counter = Counter of segment/group within the standard

St = Status  
 EDIFACT: M=Mandatory, C=Conditional  
 User specific: R=Required, O=Optional, D=Dependent,  
 A=Advised, N=Not used

Counter	No	Tag	St	MaxOcc	Level	Name
1380		<b>SG30</b>	D	4	2	<b>ADDITIONAL INFORMATION</b> Only for Steel/Tube suppliers.
1390	23	<b>RFF</b>	M	1	2	<b>REFERENCE</b>

Standard			Implementation	
Tag	Name	St Format	St Format	Usage / Remark
RFF				
C506	Reference	M	M	
1153	Reference function code qualifier	M an..3	M an..3	<b>ACO Iron charge number</b> <b>BT Batch number/lot number</b> <b>ACQ Cold roll number</b> <b>ACP Hot roll number</b>
1154	Reference identifier	C an..35	R an..35	
1156	Document line identifier	C an..6	N	Not used
4000	Reference version identifier	C an..35	N	Not used
1060	Revision identifier	C an..6	N	Not used

**Remark:**

This segment is used if the type of the product is a charging product

**Example:**

RFF+ACO:5424652554'

No = Consecutive segment number  
 MaxOcc = Maximum occurrence of the segment/group  
 Counter = Counter of segment/group within the standard

St = Status  
 EDIFACT: M=Mandatory, C=Conditional  
 User specific: R=Required, O=Optional, D=Dependent,  
 A=Advised, N=Not used

Counter	No	Tag	St	MaxOcc	Level	Name
1540		<b>SG34</b>	R	1	2	<b>TAX INFORMATION</b>
1550	24	<b>TAX</b>	M	1	2	<b>TAX</b>

Standard			Implementation	
Tag	Name	St Format	St Format	Usage / Remark
TAX				
5283	Duty or tax or fee function code qualifier	M an..3	M an..3	<b>7 Tax</b>
C241	Duty/tax/fee type	C	R	
5153	Duty or tax or fee type name code	C an..3	R an..3	<b>VAT Value added tax</b>
1131	Code list identification code	C an..3	N	Not used
3055	Code list responsible agency code	C an..3	N	Not used
5152	Duty or tax or fee type name	C an..35	D an..35	Tax description
C533	Duty/tax/fee account detail	C	N	
5289	Duty or tax or fee account code	M an..6	N	Not used
1131	Code list identification code	C an..3	N	Not used
3055	Code list responsible agency code	C an..3	N	Not used
5286	Duty or tax or fee assessment basis value	C an..15	N	Not used
C243	Duty/tax/fee detail	C	R	
5279	Duty or tax or fee rate description code	C an..7	N	Not used
1131	Code list identification code	C an..3	N	Not used
3055	Code list responsible agency code	C an..3	N	Not used
5278	Duty or tax or fee rate description	C an..17	R an..17	
5273	Duty or tax or fee rate basis code	C an..12	N	Not used
1131	Code list identification code	C an..3	N	Not used
3055	Code list responsible agency code	C an..3	N	Not used
5305	Duty or tax or fee category code	C an..3	N	Not used
3446	Party tax identifier	C an..20	N	Not used
1227	Calculation sequence code	C an..3	N	Not used

**Remark:**

**Example:**

TAX+7+VAT:::Ust ID for services 19 %+++:::19.00'

No = Consecutive segment number  
 MaxOcc = Maximum occurrence of the segment/group  
 Counter = Counter of segment/group within the standard

St = Status  
 EDIFACT: M=Mandatory, C=Conditional  
 User specific: R=Required, O=Optional, D=Dependent,  
 A=Advised, N=Not used



Counter	No	Tag	St	MaxOcc	Level	Name
1540		<b>SG34</b>	R	1	2	<b>TAX INFORMATION</b>
1560	25	<b>MOA</b>	R	1	3	<b>TAX AMOUNT</b>

Standard			Implementation	
Tag	Name	St Format	St Format	Usage / Remark
MOA				
C516	Monetary amount	M	M	
5025	Monetary amount type code qualifier	M an..3	M an..3	<b>124 Tax amount</b>
5004	Monetary amount	C n..35	R n..35	Tax amount with two decimals
6345	Currency identification code	C an..3	N	Not used
6343	Currency type code qualifier	C an..3	N	Not used
4405	Status description code	C an..3	N	Not used

**Remark:**

**Example:**

MOA+124:1096.95'

No = Consecutive segment number  
 MaxOcc = Maximum occurrence of the segment/group  
 Counter = Counter of segment/group within the standard

St = Status  
 EDIFACT: M=Mandatory, C=Conditional  
 User specific: R=Required, O=Optional, D=Dependent,  
 A=Advised, N=Not used

Counter	No	Tag	St	MaxOcc	Level	Name
1580		<b>SG35</b>	R	1	2	<b>CONSIGNEE INFORMATION</b>
1590	26	<b>NAD</b>	M	1	2	<b>Name and address</b>

Standard			Implementation	
Tag	Name	St Format	St Format	Usage / Remark
NAD				
3035	Party function code qualifier	M an..3	M an..3	<b>CN Consignee</b>
C082	Party identification details	C	R	
3039	Party identifier	M an..35	M an..35	Consignee ID
1131	Code list identification code	C an..3	N	Not used
3055	Code list responsible agency code	C an..3	R an..3	<b>92 Assigned by buyer or buyer's agent</b>
C058	Name and address	C	N	
3124	Name and address description	M an..35	N	Not used
3124	Name and address description	C an..35	N	Not used
3124	Name and address description	C an..35	N	Not used
3124	Name and address description	C an..35	N	Not used
3124	Name and address description	C an..35	N	Not used
C080	Party name	C	R	
3036	Party name	M an..35	M an..35	Consignee Name
3036	Party name	C an..35	N	Not used
3036	Party name	C an..35	N	Not used
3036	Party name	C an..35	N	Not used
3036	Party name	C an..35	N	Not used
3045	Party name format code	C an..3	N	Not used
C059	Street	C	R	
3042	Street and number or post office box identifier	M an..35	M an..35	Consignee Street
3042	Street and number or post office box identifier	C an..35	N	Not used
3042	Street and number or post office box identifier	C an..35	N	Not used
3042	Street and number or post office box identifier	C an..35	N	Not used
3164	City name	C an..35	R an..35	Consignee City
C819	Country sub-entity details	C	N	
3229	Country sub-entity name code	C an..9	N	Not used
1131	Code list identification code	C an..3	N	Not used
3055	Code list responsible agency code	C an..3	N	Not used
3228	Country sub-entity name	C an..35	N	Not used
3251	Postal identification code	C an..17	R an..17	Consignee zip code
3207	Country name code	C an..3	R an..3	Consignee country code (ISO)

**Remark:****Example:**

NAD+CN+0013::92++Benteler+Mustergasse 19+Paderborn++33106+DE'

No = Consecutive segment number  
 MaxOcc = Maximum occurrence of the segment/group  
 Counter = Counter of segment/group within the standard

St = Status  
 EDIFACT: M=Mandatory, C=Conditional  
 User specific: R=Required, O=Optional, D=Dependent,  
 A=Advised, N=Not used

Counter	No	Tag	St	MaxOcc	Level	Name
2160	27	<b>UNS</b>	M	1	0	SECTION CONTROL

Standard			Implementation	
Tag	Name	St Format	St Format	Usage / Remark
UNS				
0081	Section identification	M a1	M a1	<b>S Detail/summary section separation</b>

**Remark:**  
**Example:**  
 UNS+S '

No = Consecutive segment number  
 MaxOcc = Maximum occurrence of the segment/group  
 Counter = Counter of segment/group within the standard

St = Status  
 EDIFACT: M=Mandatory, C=Conditional  
 User specific: R=Required, O=Optional, D=Dependent,  
 A=Advised, N=Not used

Counter	No	Tag	St	MaxOcc	Level	Name
2180		<b>SG50</b>	M	100	1	<b>AMOUNT INFORMATION</b>
2190	28	<b>MOA</b>	M	1	1	<b>Monetary amount</b>

Standard			Implementation	
Tag	Name	St Format	St Format	Usage / Remark
MOA				
C516	Monetary amount	M	M	
5025	Monetary amount type code qualifier	M an..3	M an..3	<b>79 Total line items amount</b> <b>77 Invoice amount</b> <b>176 Message total duty/tax/fee amount</b>
5004	Monetary amount	C n..35	R n..35	Amount with two decimals
6345	Currency identification code	C an..3	N	Not used
6343	Currency type code qualifier	C an..3	N	Not used
4405	Status description code	C an..3	N	Not used

**Remark:**

**Example:**

MOA+79:14335.19'

No = Consecutive segment number  
 MaxOcc = Maximum occurrence of the segment/group  
 Counter = Counter of segment/group within the standard

St = Status  
 EDIFACT: M=Mandatory, C=Conditional  
 User specific: R=Required, O=Optional, D=Dependent,  
 A=Advised, N=Not used

Counter	No	Tag	St	MaxOcc	Level	Name
2310	29	<b>UNT</b>	M	1	0	Message trailer

		Standard	Implementation	
Tag	Name	St Format	St Format	Usage / Remark
UNT				
0074	Number of segments in a message	M n..10	M n..10	
0062	Message reference number	M an..14	M an..14	

**Remark:**

**Example:**

UNT+27+1'

No = Consecutive segment number  
 MaxOcc = Maximum occurrence of the segment/group  
 Counter = Counter of segment/group within the standard

St = Status  
 EDIFACT: M=Mandatory, C=Conditional  
 User specific: R=Required, O=Optional, D=Dependent,  
 A=Advised, N=Not used

Counter	No	Tag	St	MaxOcc	Level	Name
0000	30	<b>UNZ</b>	M	1	0	Interchange trailer

Standard			Implementation	
Tag	Name	St Format	St Format	Usage / Remark
UNZ				
0036	Interchange control count	M n..6	M n..6	
0020	Interchange control reference	M an..14	M an..14	Unique continuing transmission number, generated by the EDI system

**Remark:**

**Example:**

UNZ+1+0011100112'

No = Consecutive segment number  
 MaxOcc = Maximum occurrence of the segment/group  
 Counter = Counter of segment/group within the standard

St = Status  
 EDIFACT: M=Mandatory, C=Conditional  
 User specific: R=Required, O=Optional, D=Dependent,  
 A=Advised, N=Not used